



# RC 200/300 CI/CI-BF-SF Parts List

**PRICE® PUMP CO.**

RCCI plist.doc rev. C

Key #	Description	Quantity	RC200Part #	RC300 Part #
A.	Volute Cast Iron	1	0183-0	0120-0
A.	Volute Bronze	1	3716-0	3717-0
B.	Pipe Plugs 1/8"	2	0557	0557
C.	Impeller - Specify diameter **			
	Cast Iron (Hex Bore)	1	4185 - (specify dia.)	4186 - (specify dia.)
	Bronze (Hex Bore)	1	4115 - (specify dia.)	4116 - (specify dia.)
	Stainless Steel (Hex Bore)	1	3711- (specify dia.)	3713 - (specify dia.)
D.	O-ring (Buna std.)	1	3074	3074
E <sup>1</sup>	Bracket w/ Foot	1	2426	2426
E <sup>2</sup>	Bracket w/o Foot	1	2428	2428
F.	Volute Bolts	8	0573	0573
G.	Motor Bolts	4	0588	0588
H.	Shaft w/ setscrews 5/8" ID, Hex (56C motor)	1	3714-1	3714-1
H.	Shaft w/ setscrews 7/8" ID, Hex (143TC, 145TC, 182C, 184C motor)	1	3715-1	3715-1
J.	Slinger (For 5/8" shaft pumps only)	1	0522	0522
	Seal with Seat			
K <sup>1</sup>	T.6A Buna (std.)	1	0538	0538
K <sup>2</sup>	T.21 Fluorocarbon (optional)	1	0553	0553
K <sup>3</sup>	T.9 PTFE (optional)	1	1150	1150
K <sup>4</sup>	Double Seal/Seat (opt):			
	T.21 Fluorocarbon	2	0985	0985
	T.21 Neoprene	2	0984	0984
	T.21 EPR	2	1023	1023
	Double Seal Plate	1	0973	0973
	Plate Gasket, PTFE	1	0974	0974
	Seal Plate Cover Bolts	3	0256	0256
L <sup>1</sup>	T.6A Quench Lip Seal, Fluorocarbon	1	0899	0899
L <sup>2</sup>	T.21 Quench (5/8" shaft pumps only)			
	Quench Plate	1	0308	0308
	Plate Gasket, Syn. Fiber	1	0504	0504
	Seal Plate Cover Bolts	3	0267	0267
	Fluorocarbon Lip Seal	1	0891	0891
M.	Impeller Lockdown Bolt	1	0596	0596
N.	Impeller Lockdown Washer	1	2423	2423
P.	Impeller Lock Washer	2	2344	2344
R <sup>1</sup>	Motor, Electric	1	Specify P/N	Specify P/N
	(For 5HP 184C or other footed motors, use P/N 2428 bracket.)			
R <sup>2</sup>	Power Frames			
	For use with 5/8" ID Shaft	1	5478	5478
	For use with 7/8" ID Shaft	1	5501	5501
R <sup>3</sup>	Air Motor	1	Specify P/N	Specify P/N
<b>RC - Repair Parts Kit</b>				
	For <b>56C 5/8" Hex</b> shaft	1	2207	-----
	For <b>56C 7/8" Hex</b> shaft	1	-----	2207-1

(Includes: Hex Shaft w/ SS Slinger (5/8" shaft only), Impeller Lockdown Bolt, Washer and Key)

\*\* Double seal pumps use double seal impellers, for example; P/N 4185DS - (specify dia.)

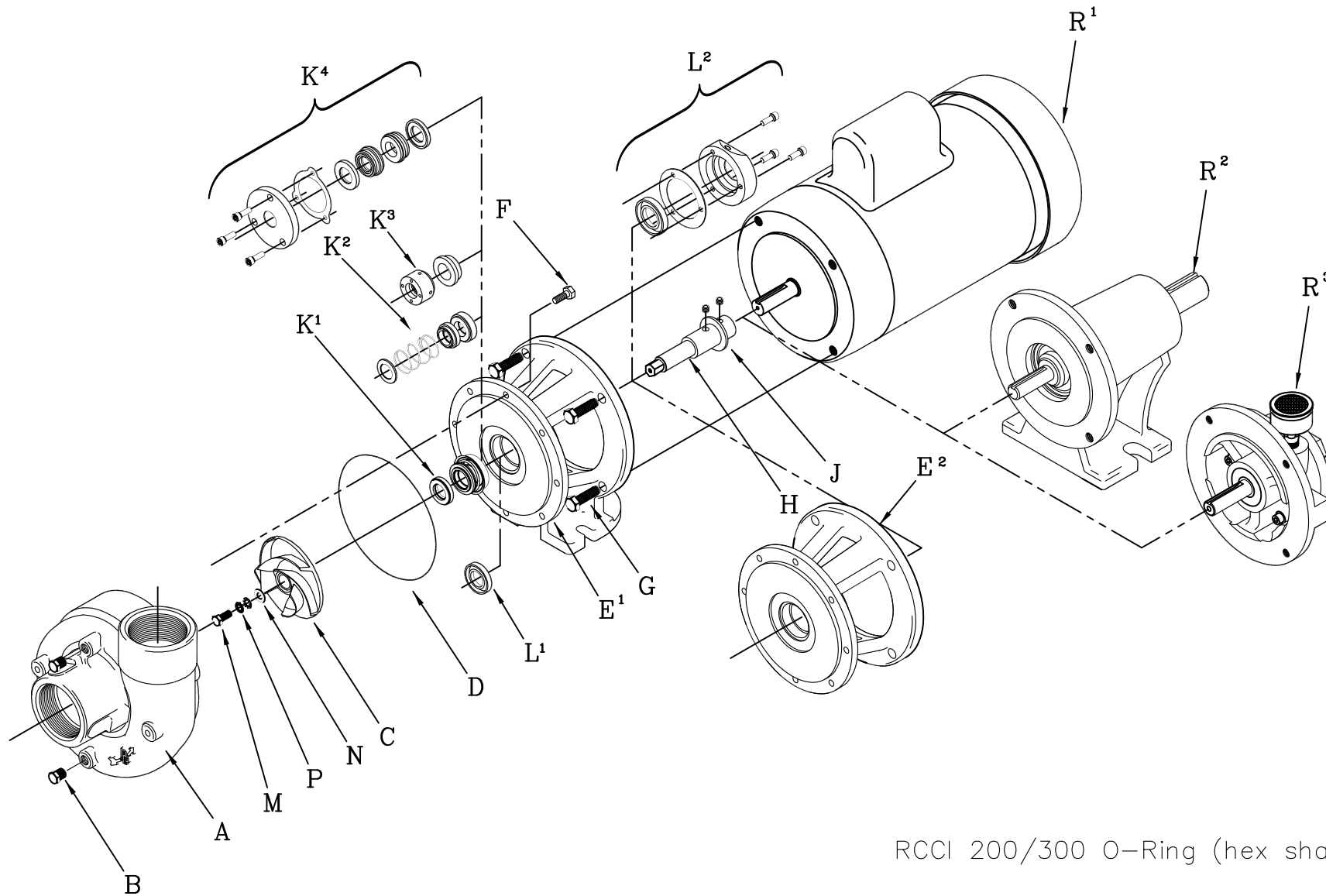
Price® Pump Co.

21775 Eighth Street East \* Sonoma, CA 95476-0329 \* (707) 938-8441 \* Fax (707) 938-0764



PRICE PUMP CO.

RCCI\_P.dwg rev. C



RCCI 200/300 O-Ring (hex shaft)

Price® Pump Co.

21775 Eighth Street East \* Sonoma, CA 95476-0329 \* (707) 938-8441 \* Fax (707) 938-0764